

RENAULT LAGUNA wiring diagrams

Key to circuits

Diagram 1 Information for wiring diagrams

Diagram 2 Starting, charging, Diesel fuel shut-off, engine cooling fan

Diagram 3 Diesel fuel heater, pre and post heating

Diagram 4 Turbo Diesel pre and post heating, ABS

Diagram 5 Automatic transmission, air bag/pretensioners, variable power steering

Diagram 6 Fuel injection Bosch monopoint

Diagram 7 Fuel injection (Bendix Siemens MPi)

Diagram 8 Instrument cluster

Diagram 9 Instrument cluster

Diagram 10 Speed sensor, clock/external temperature gauge, heater blower

Diagram 11 Rear wash/wipe, headlight washer, sidelights and headlights

Diagram 12 Heated front/rear screen, heated washer jets, windscreen wash/wipe

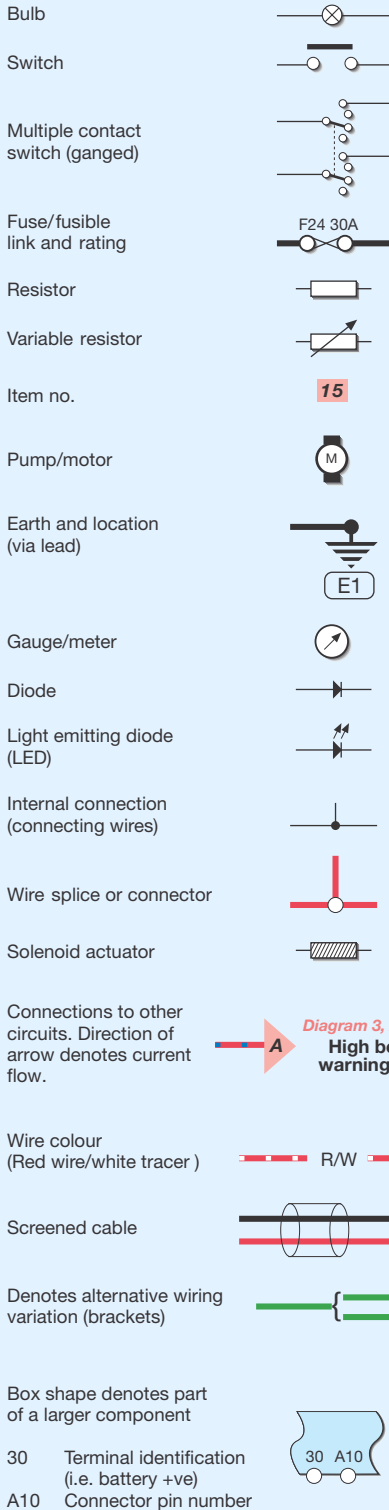
Diagram 13 Stop, reversing, fog and direction indicator lights

Diagram 14 Headlight levelling, interior lighting, glove box and boot light

Diagram 15 Rheostat interior lighting, audio system, central locking

Diagram 16 Electric mirrors and windows

Key to symbols



Earth locations

- E1 Below RH rear light cluster
- E2 Below LH rear light cluster
- E3 Below LH rear light cluster
- E4 RH driver's inner sill
- E5 LH passenger's front inner sill
- E6 LH passenger's rear inner sill
- E7 RH side engine (petrol)
- LH side engine (Diesel)
- E8 Front of engine compartment' below LH headlight

Terminal identification

- 15 Ignition switch 'ignition' position
- 15 Ignition switch 'ignition' position
- 30 Battery +ve
- 31 Earth
- 50 Ignition switch 'start' position
- 85 Relay winding input
- 86 Relay winding earth
- 87 Relay output
- 87a Relay output
- D+ Charge warning light

Key to circuits

- Diagram 1 Information for wiring diagrams
- Diagram 2 Starting, charging, Diesel fuel shut-off, engine cooling fan,
- Diagram 3 Diesel fuel heater, pre and post heating
- Diagram 4 Turbo Diesel pre and post heating, ABS
- Diagram 5 Automatic transmission, air bag/pre-tensioners, variable power steering
- Diagram 6 Fuel injection Bosch monopoint
- Diagram 7 Fuel injection (Bendix Siemens MPI)
- Diagram 8 Instrument cluster
- Diagram 9 Instrument cluster
- Diagram 10 Speed sensor, clock/external temperature gauge, heater blower
- Diagram 11 Heated front/rear screen, heated washer jets, windscreen wash/wipe
- Diagram 12 Rear wash/wipe, headlight washer, sidelights and headlights
- Diagram 13 Stop, reversing, fog and direction indicator lights
- Diagram 14 Headlight levelling, interior lighting
- Diagram 15 Rheostat interior lighting, audio system, central locking
- Diagram 16 Electric mirrors and windows

Typical passenger compartment fuse box

Fuse	Rating	Circuit protected
F1	20A	Cooling fan
F2	25A	Horn
F3	15A	RH main beam
F4	15A	LH main beam
F5	10A	Reversing light (automatic transmission)
F6	10A	Clock/radio and memory units, electric mirrors, alarm
F7	25A	Front wiper park position
F8	15A	Direction indicators and hazard warning light
F9	25A	Windscreen wiper
F10	15A	Instrument panel, air bag, pretensioners, alarm, memory seats
F11	25A	Central locking
F12	30A	+ve supply after ignition switch
F13	5A	Variable power steering
F14	5A	ABS
F15	5A	Automatic transmission
F16	15A	RH dipped beam headlight
F17	15A	LH dipped beam headlight, headlight levelling
F18	15A	Stop lights, cruise control, flasher unit, bulb failure unit
F19	20A	Heated seats
F20	20A	Rear screen wiper, heated front/rear screen, reversing lights, lights on buzzer, heater controls
F23	15A	Variable shock absorbers
F24	10A	Clock, display illumination, alarm, memory seats
F25	10A	Rear fog light
F26	20A	Radio, heater controls, cigar lighter
F27	25A	Memory seats
F28	25A	Front fog lights
F29	15A	Boot and interior lights
F30	5A	Injection
F31	10A	Heated mirrors
F32	30A	Sunroof
F33	5A	Radio telephone
F34	10A	LH side light, lights, bulb failure unit
F35	40A	Heated rear screen
F37	40A	Air conditioning
F38	40A	Driver's electric window
F39	40A	Passenger's electric window
F40	40A	Power passenger seat

Typical engine compartment fuse box

Fuse	Rating	Circuit protected
F51	60A	Accessory cut-off shunt
F52	60A	+ battery passenger compartment
F53	60A	+ ignition switch
F54	60A	After ignition relay
F55	40A	RH cooling fan
F56	40A	LH cooling fan
F57	30A	ABS
F58	40A	Headlight washers
F60	30/70A	Fuel injection (30A), Diesel pre-heating (70A)
F65	70A	Heated windscreen relay

Wire colours

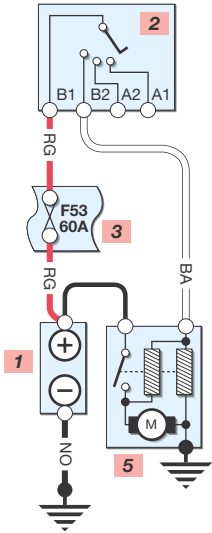
BA White	JA Yellow
BE Blue	MA Brown
BJ Beige	NO Black
CY Clear	OR Orange
GR Grey	RG Red
SA Pink	VI Mauve
VE Green	

Key to items

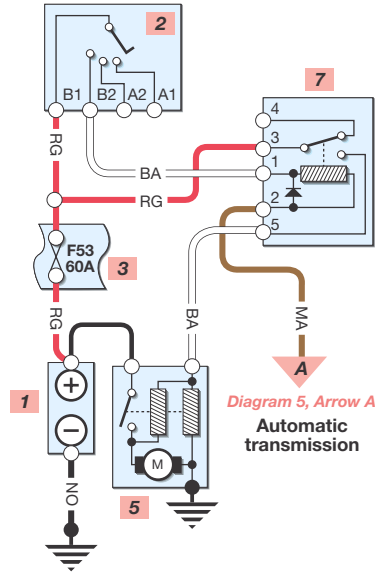
- | | |
|----------------------------------|---|
| 1 Battery | 9 Cooling fan switch (single temperature) |
| 2 Ignition switch | 10 Cooling fan switch (dual temperature) |
| 3 Engine compartment fuse box | 11 Cooling fan motor |
| 4 Passenger compartment fuse box | 12 Cooling fan relay |
| 5 Starter motor | 13 Cooling fan 1st speed relay |
| 6 Alternator | 14 Cooling fan 2nd speed relay |
| 7 Starter relay | 15 Cooling fan resistor |
| 8 Diesel fuel shut-off valve | |

Diagram 2

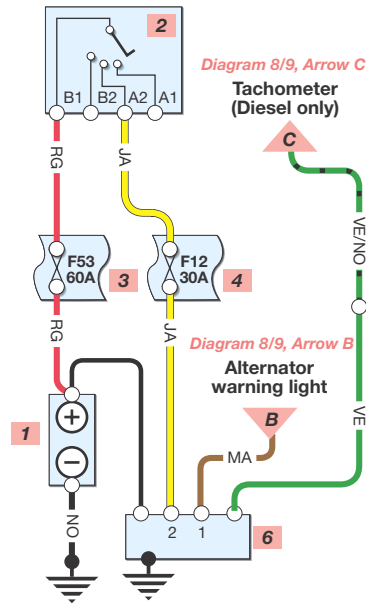
T.H.
H31765



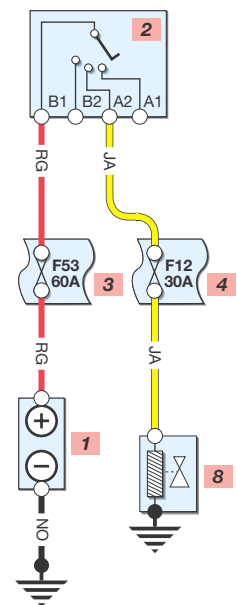
Typical starting system (manual transmission)



Typical starting system (automatic transmission)

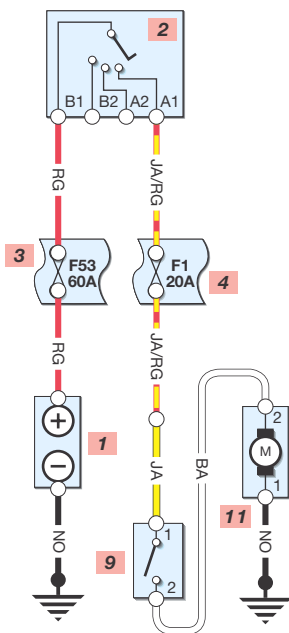


Typical charging system

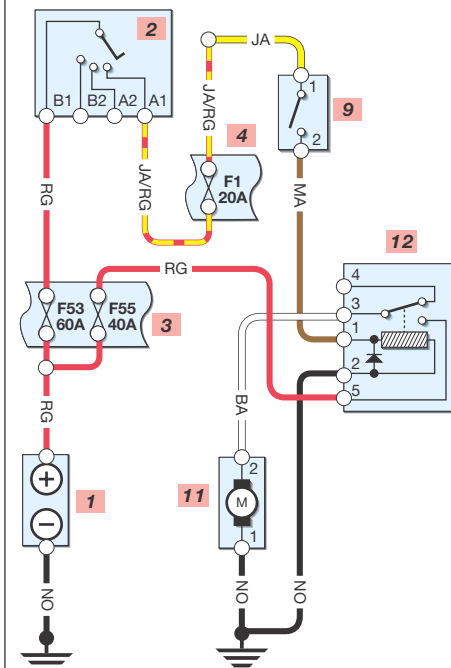


Typical Diesel fuel shut-off

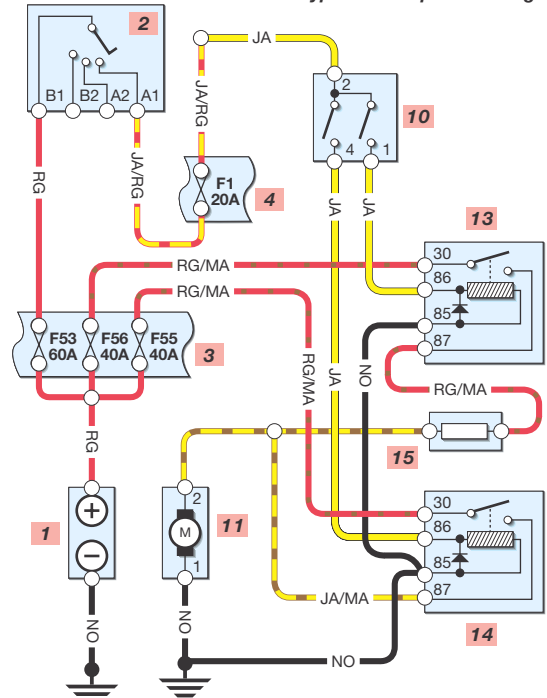
Typical single speed cooling fan (manual transmission)



Typical single speed cooling fan (automatic transmission)



Typical twin speed cooling fan



Wire colours

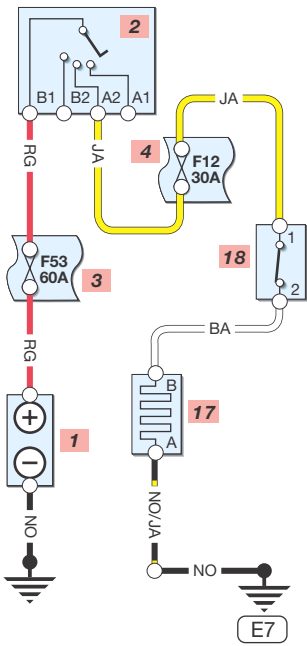
BA White	JA Yellow
BE Blue	MA Brown
BJ Beige	NO Black
CY Clear	OR Orange
GR Grey	RG Red
SA Pink	VI Mauve
VE Green	

Key to items

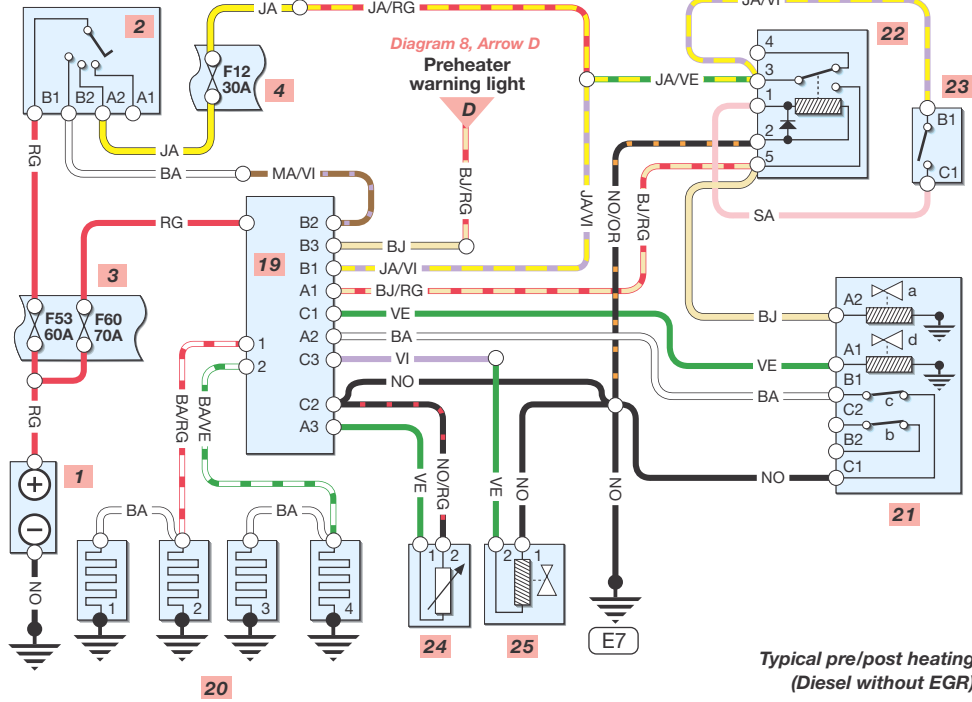
1 Battery	20 Glow plugs	23 Altitude capsule
2 Ignition switch	21 Pump unit	24 Coolant temperature sensor
3 Engine compartment fuse box	a = advance/retard valve	25 Fast idle solenoid valve
4 Passenger compartment fuse box	b = EGR switch	26 Clutch pedal switch
17 Fuel filter heater	c = throttle position switch	27 EGR timer relay
18 Fuel heater temperature switch	d = pump advance solenoid	28 EGR temperature switch
19 Preheater unit	22 Altitude relay	29 EGR valve

Diagram 3

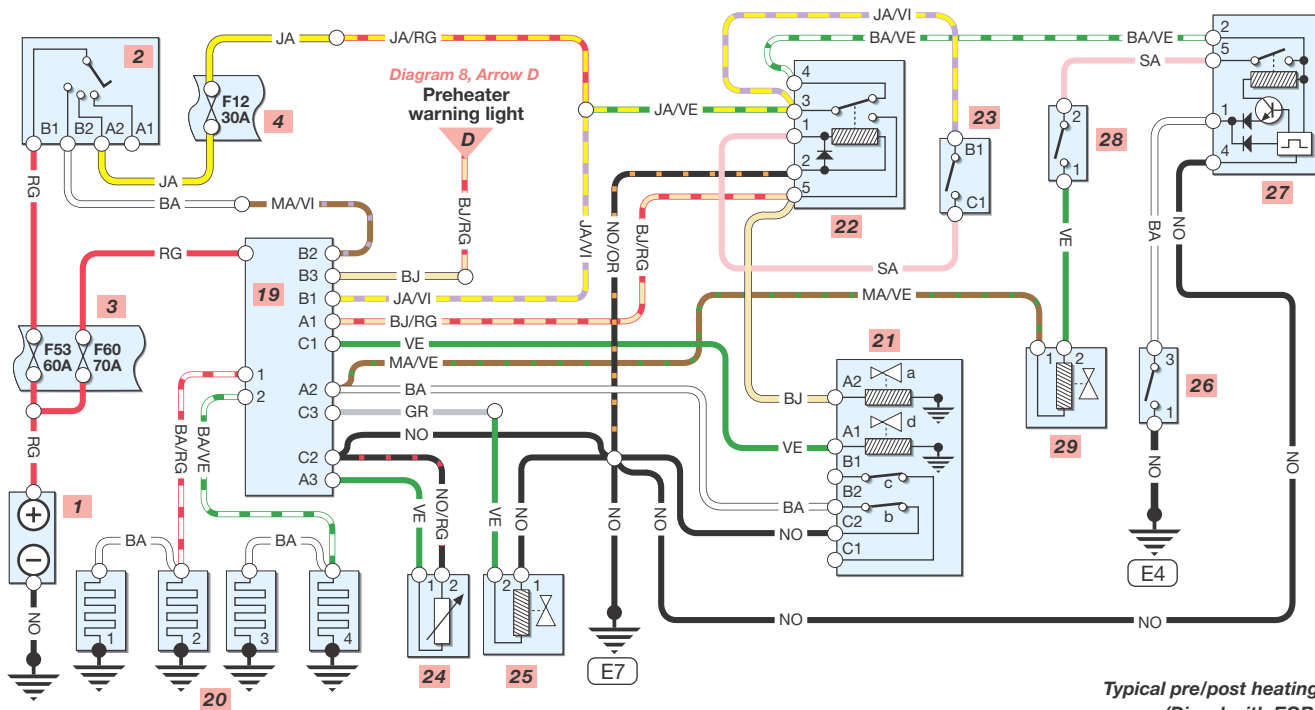
H31766



Typical Diesel fuel filter heater



Typical pre/post heating
(Diesel without EGR)



Typical pre/post heating
(Diesel with EGR)

Wire colours

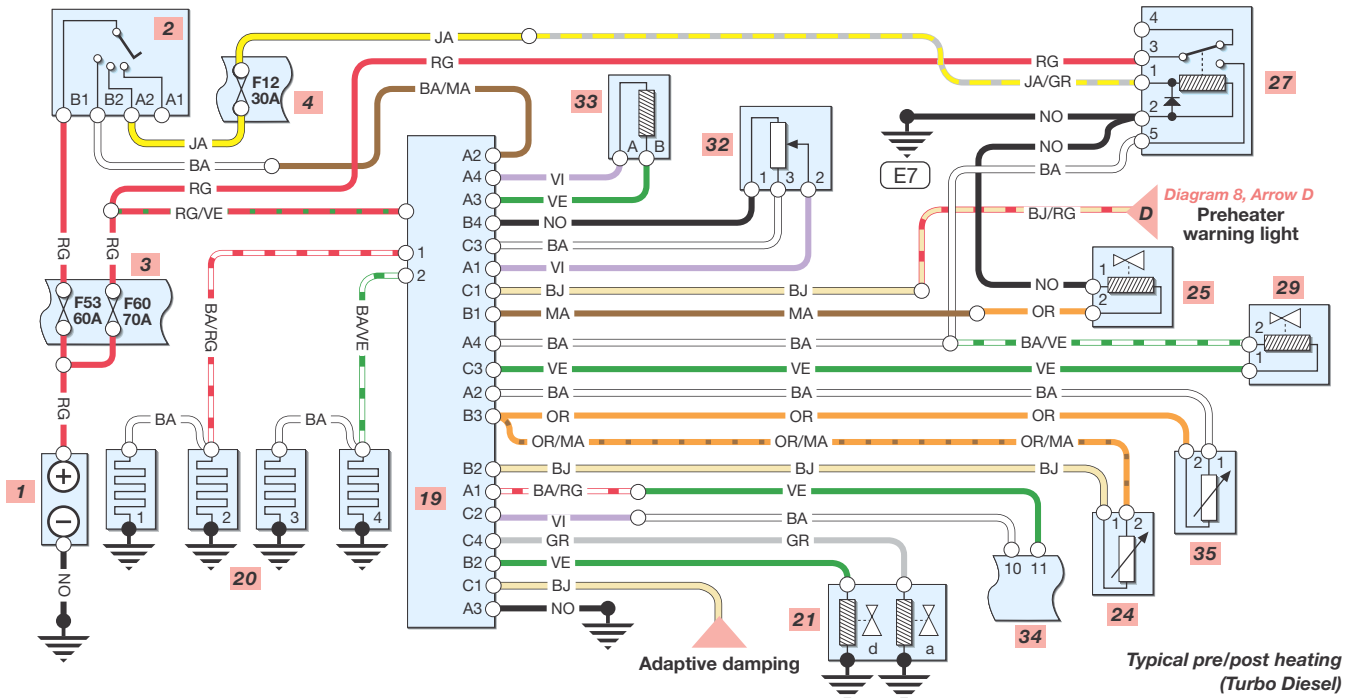
BA White	JA Yellow
BE Blue	MA Brown
BJ Beige	NO Black
CY Clear	OR Orange
GR Grey	RG Red
SA Pink	VI Mauve
VE Green	

Key to items

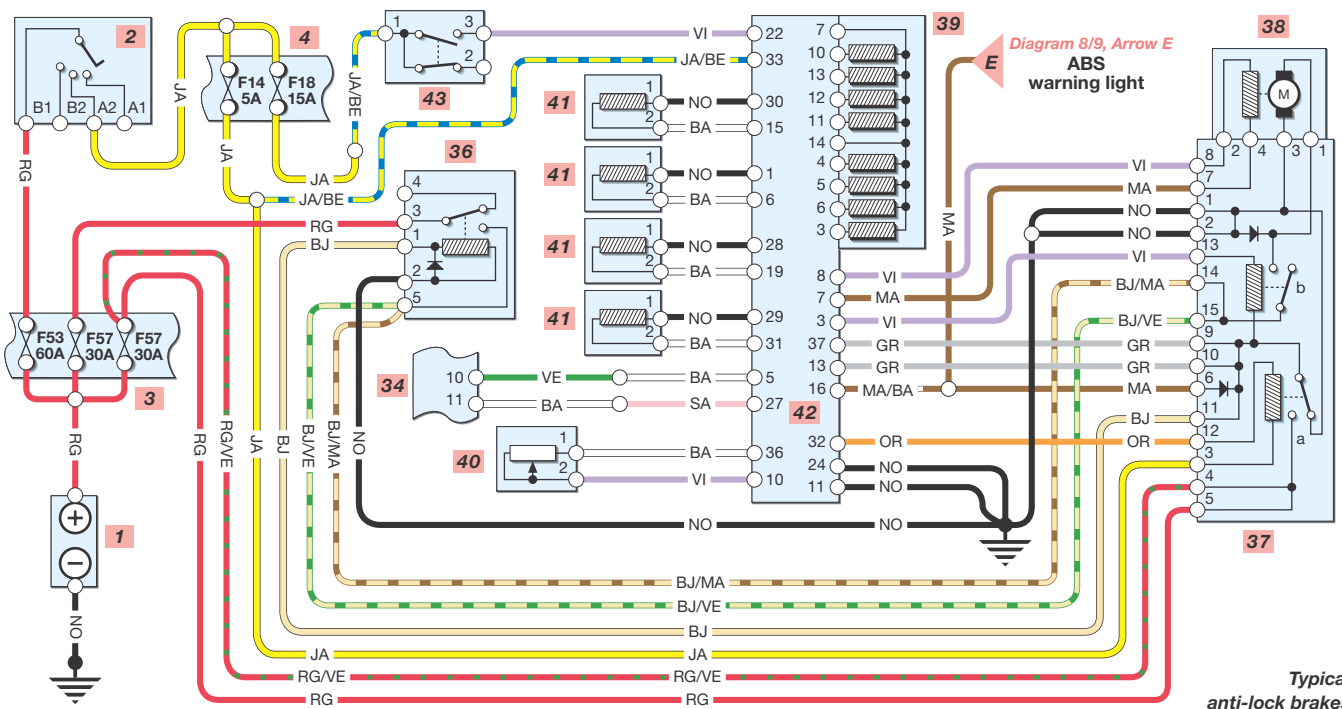
1 Battery	24 Coolant temperature switch	37 ABS connection plate
2 Ignition switch	25 Fast idle solenoid valve	a = ABS main relay
3 Engine compartment fuse box	27 EGR relay	b = ABS pump relay
4 Passenger compartment fuse box	29 EGR valve	38 ABS hydraulic unit
19 Preheater unit	32 Throttle potentiometer	39 ABS solenoid valve unit
20 Glow plugs	33 Speed threshold sensor	40 Pedal travel sensor
21 Pump unit	34 Diagnostic socket	41 Wheel sensor
a = advance/retard valve	35 Air temperature sensor	42 ABS ECU
d = pump advance solenoid	36 ABS auxiliary relay	43 Stop light switch

Diagram 4

H31767



Typical pre/post heating (Turbo Diesel)



Typical anti-lock brakes

Wire colours

BA White	JA Yellow
BE Blue	MA Brown
BJ Beige	NO Black
CY Clear	OR Orange
GR Grey	RG Red
SA Pink	VI Mauve
VE Green	

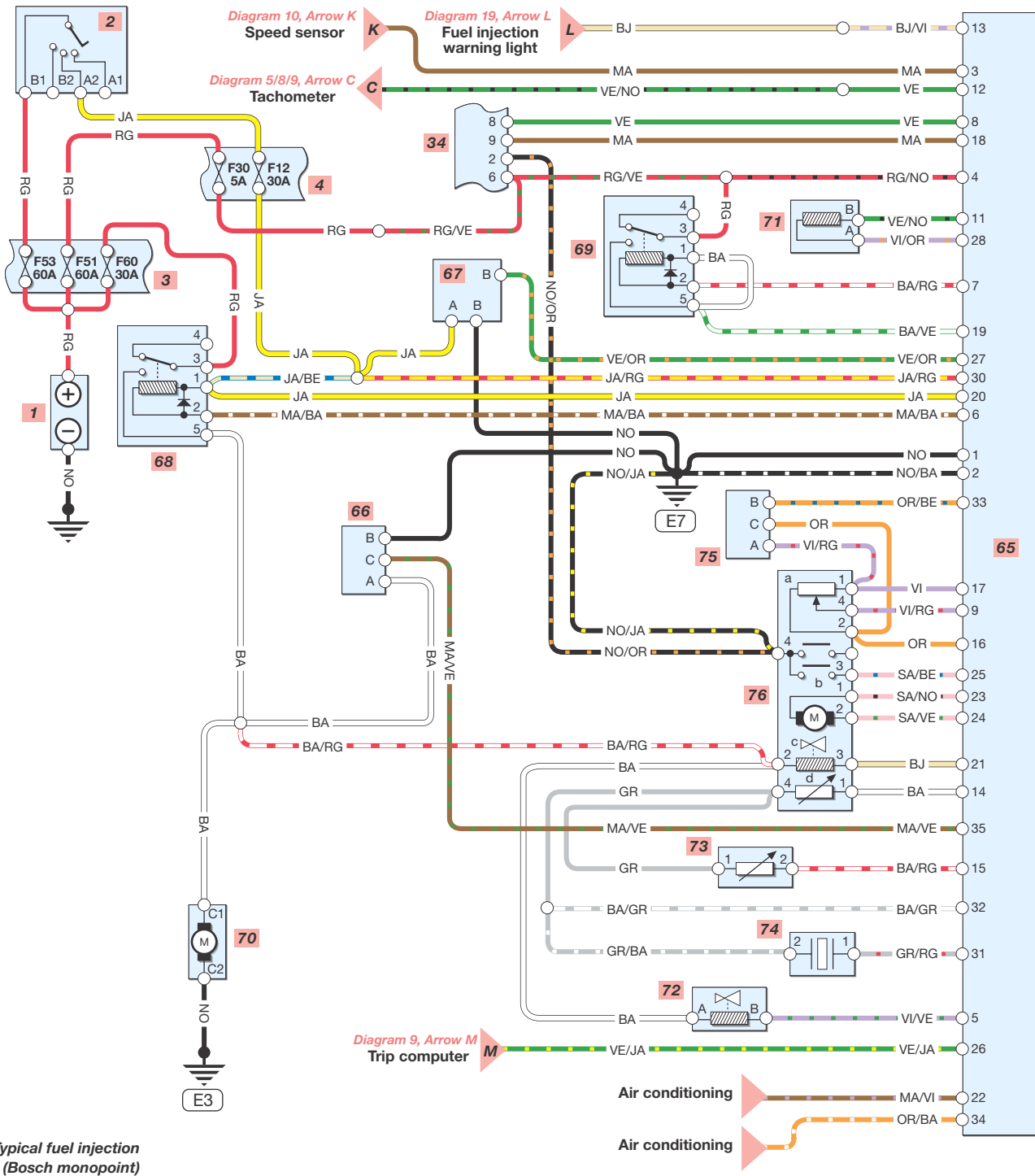
Key to items

1 Battery	67 Ignition power module
2 Ignition switch	68 Fuel pump relay
3 Engine compartment fuse box	69 Injection locking relay
4 Passenger compartment fuse box	70 Fuel pump
34 Diagnostic socket	71 Crankshaft sensor
65 Fuel injection ECU	72 Canister purge solenoid valve
66 Oxygen sensor	73 Coolant temperature sensor

74 Knock sensor
75 MAP sensor
76 Throttle body
a = throttle potentiometer
b = idle speed regulator
c = fuel injection
d = air temperature sensor

Diagram 6

H31769



Typical fuel injection
(Bosch monopoint)

Wire colours

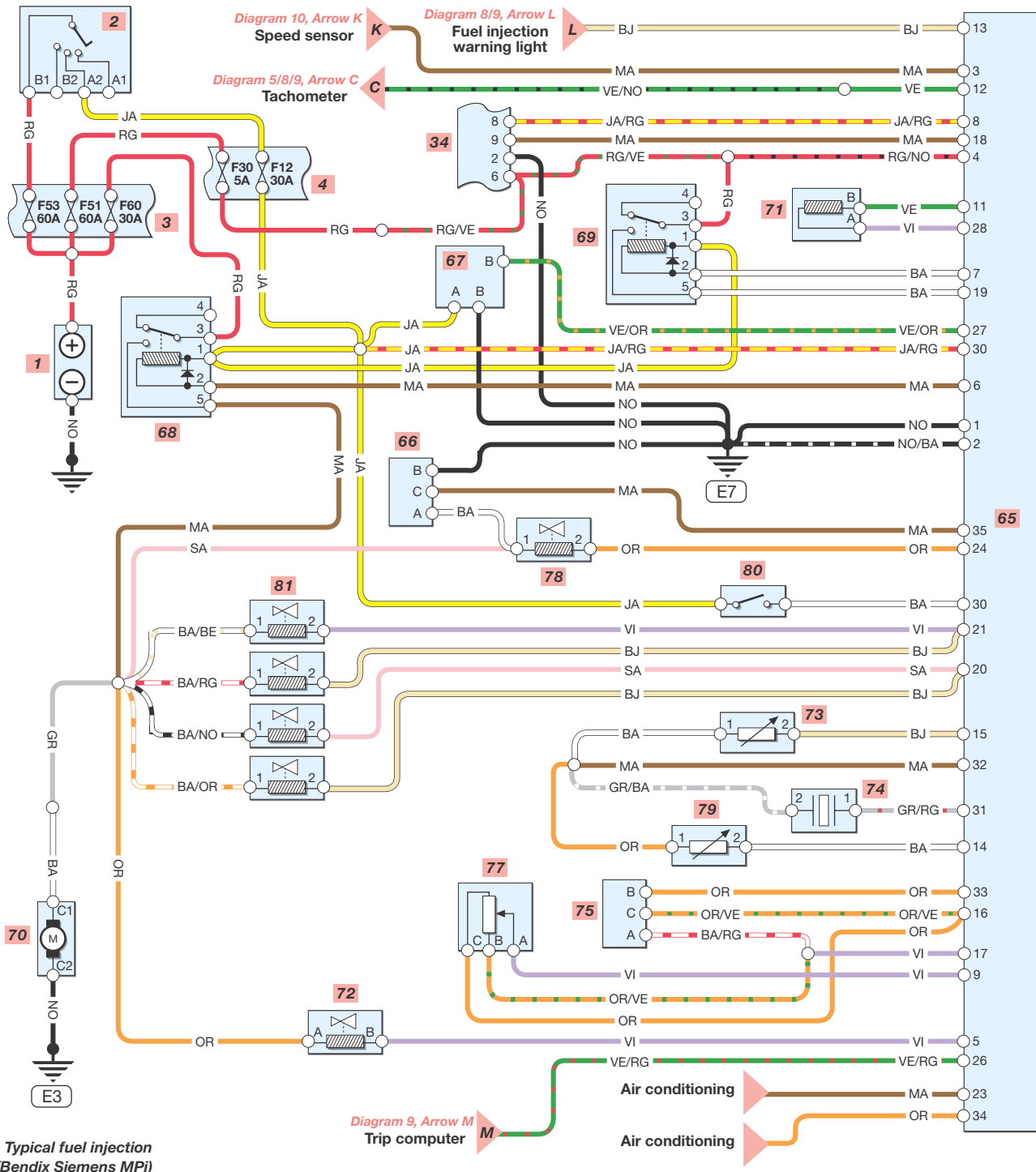
BA White	JA Yellow
BE Blue	MA Brown
BJ Beige	NO Black
CY Clear	OR Orange
GR Grey	RG Red
SA Pink	VI Mauve
VE Green	

Key to items

1 Battery	67 Ignition power module	74 Knock sensor
2 Ignition switch	68 Fuel pump relay	75 MAP sensor
3 Engine compartment fuse box	69 Injection locking relay	77 Throttle potentiometer
4 Passenger compartment fuse box	70 Fuel pump	78 Idle speed regulator
34 Diagnostic socket	71 Crankshaft sensor	79 Air temperature sensor
65 Fuel injection ECU	72 Canister purge solenoid valve	80 Power steering pressure switch
66 Oxygen sensor	73 Coolant temperature sensor	81 Fuel injectors

Diagram 7

H31770



Wire colours

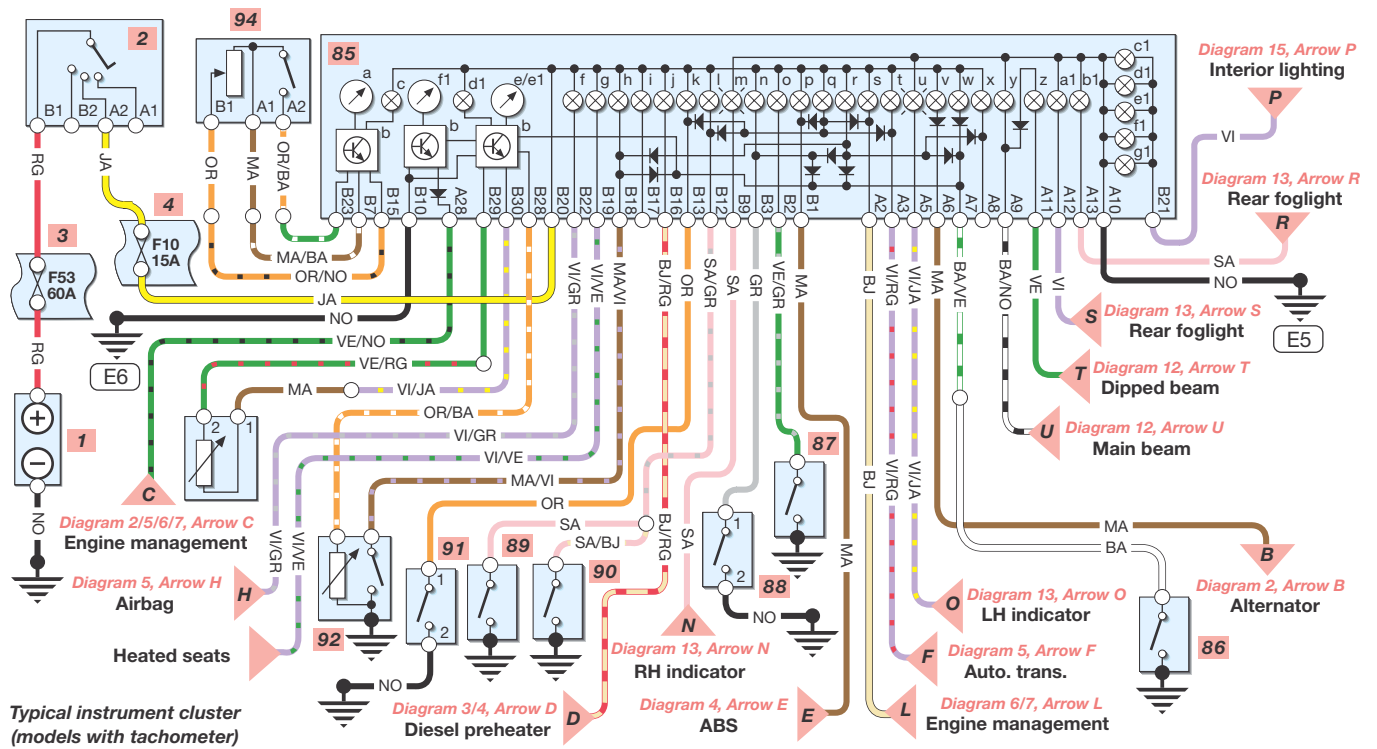
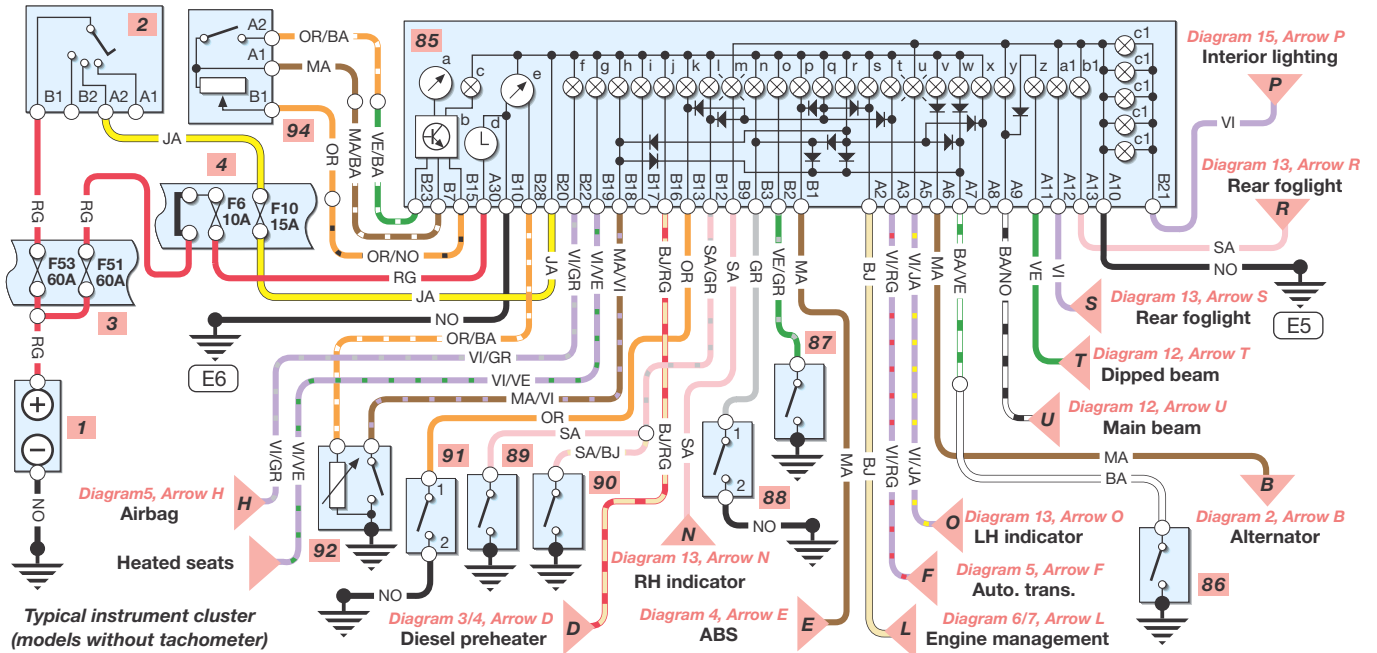
BA White	JA Yellow
BE Blue	MA Brown
BJ Beige	NO Black
CY Clear	OR Orange
GR Grey	RG Red
SA Pink	VI Mauve
VE Green	

Key to items

1 Battery	h = high coolant temp. tell-tale	t = auto. trans. tell-tale
2 Ignition switch	i = seatbelt tell-tale	u = LH indicator tell-tale
3 Engine compart. fuse box	j = preheater tell-tale	v = alternator tell-tale
4 Passenger compart. fuse box	k = low washer tell-tale	w = low oil pressure tell-tale
85 Instrument cluster	l = pad wear tell-tale	x = cat temp. tell-tale
a = fuel gauge	m = RH indicator tell-tale	y = main beam tell-tale
b = control unit	n = low brake fluid tell-tale	z = dipped beam tell-tale
c = low fuel tell-tale	o = handbrake tell-tale	a1 = front foglight tell-tale
d = analogue clock	p = ABS tell-tale	b1 = rear foglight tell-tale
e = coolant temperature gauge	q = service tell-tale	c1 = instrument illumination
f = airbag tell-tale	r = stop tell-tale	d1 = low oil level tell-tale
g = heated seat tell-tale	s = injection tell-tale	e1 = oil level gauge

Diagram 8

T.M.
H31771



Wire colours

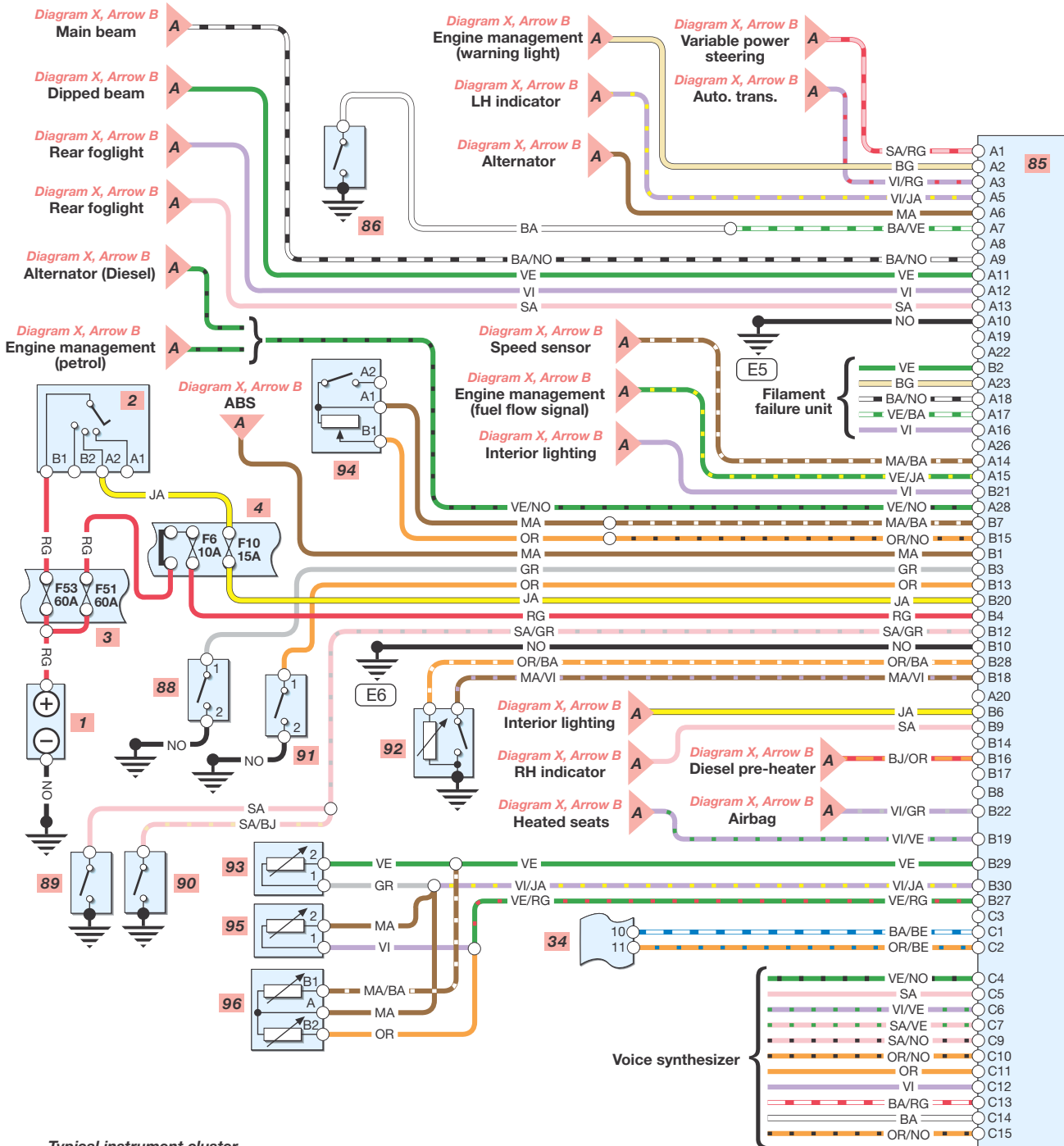
BA White	JA Yellow
BE Blue	MA Brown
BJ Beige	NO Black
CY Clear	OR Orange
GR Grey	RG Red
SA Pink	VI Mauve
VE Green	

Key to items

1 Battery	88 Low brake fluid switch	95 Oil temperature sensor (Diesel)
2 Ignition switch	89 LH pad wear sensor	96 Combined oil level/temperature sensor (petrol)
3 Engine compart. fuse box	90 RH pad wear sensor	
4 Passenger compart. fuse box	91 Low washer fluid switch	
34 Diagnostic socket	92 Coolant temperature sensor	
85 Instrument cluster	93 Oil level sensor (Diesel)	
86 Oil pressure switch	94 Fuel gauge sender unit	

Diagram 9

T.M.
H31772



Typical instrument cluster
(models with on-board computer)

Diagram 10

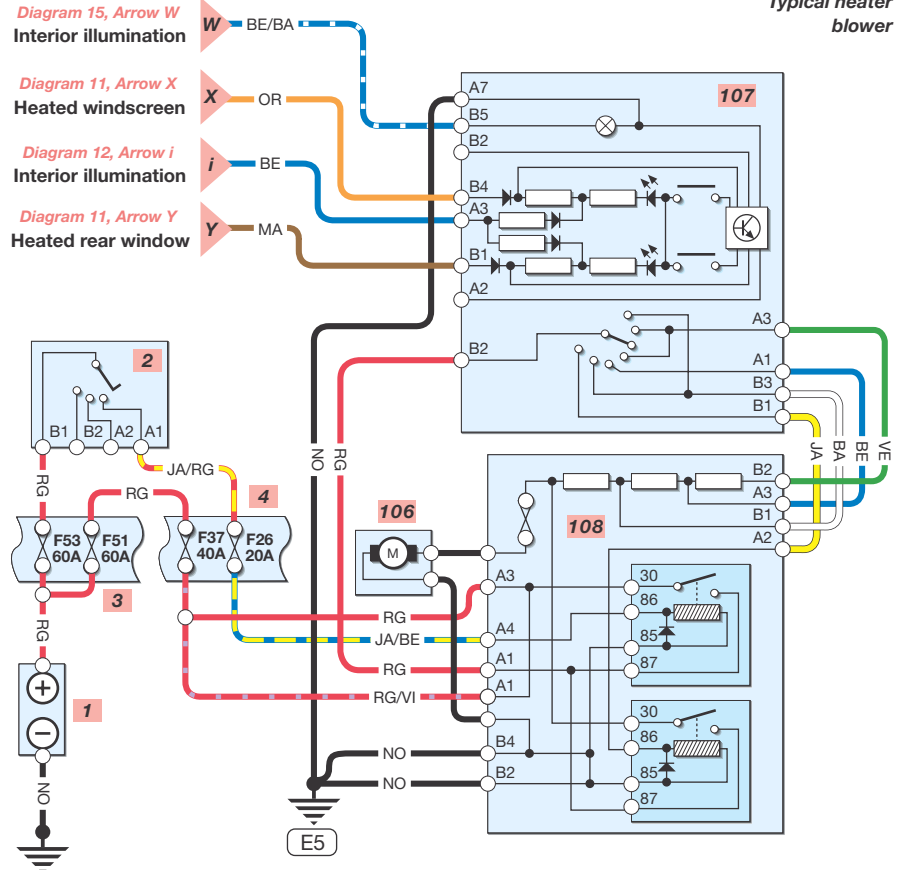
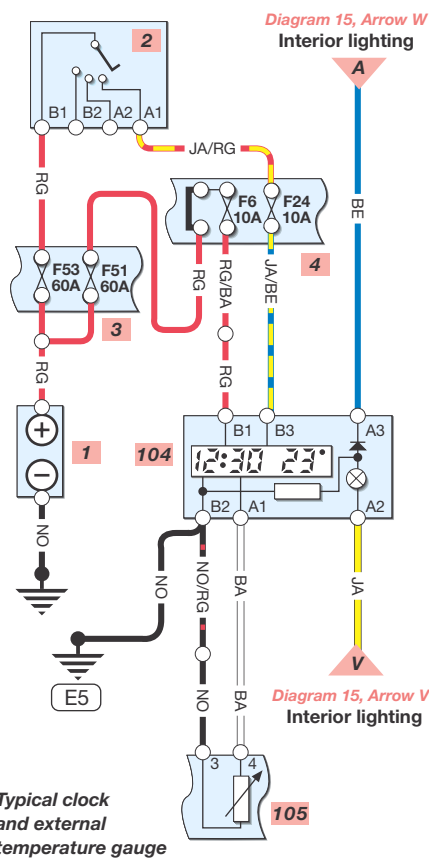
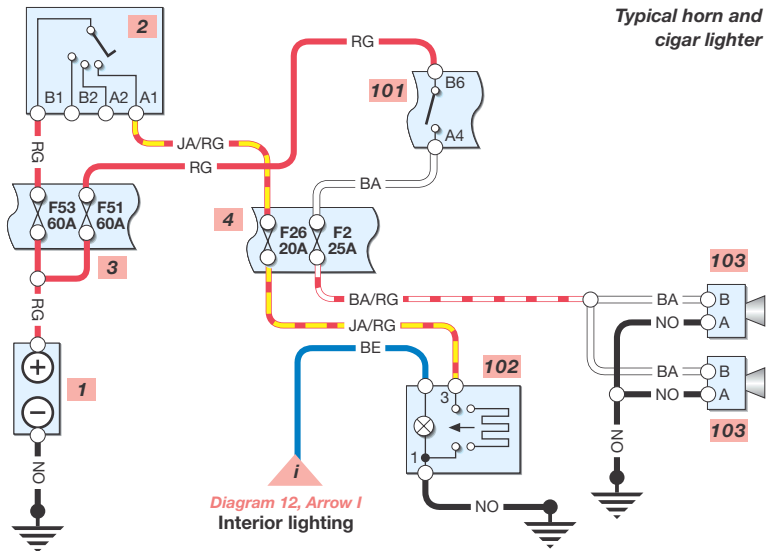
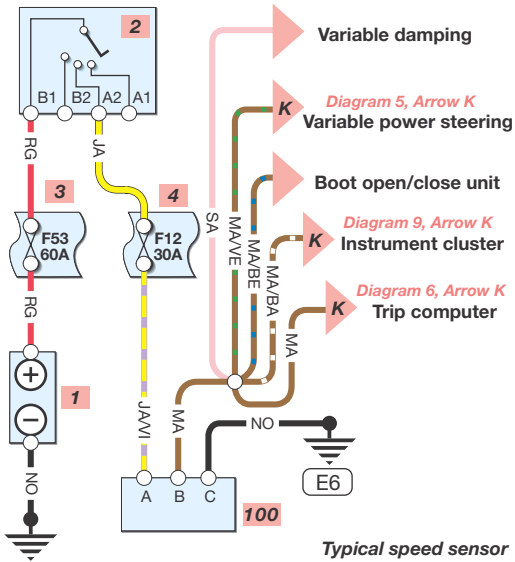
Wire colours

BA White	JA Yellow
BE Blue	MA Brown
BJ Beige	NO Black
CY Clear	OR Orange
GR Grey	RG Red
SA Pink	VI Mauve
VE Green	

Key to items

1 Battery	103 Horn
2 Ignition switch	104 Clock and external temperature gauge
3 Engine compartment fuse box	105 Passenger side electric mirror
4 Passenger compartment fuse box	106 Heater blower motor
100 Speed sensor	107 Heater switch
101 Combined lighting/horn switch	108 Heater resistor unit
102 Cigar lighter	

H31773



Wire colours

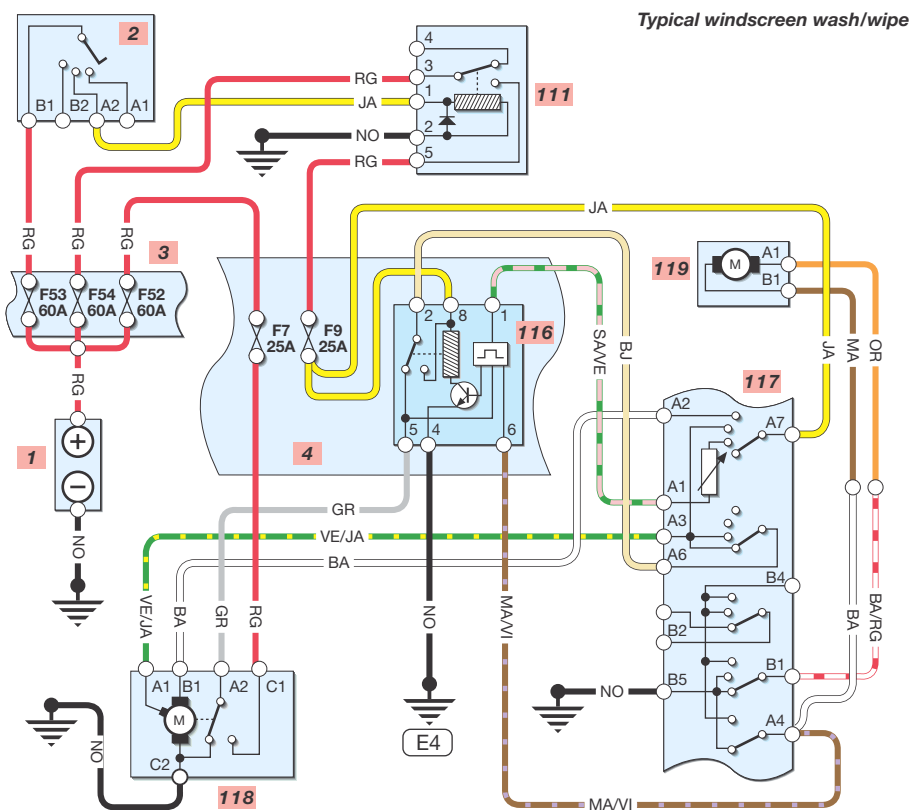
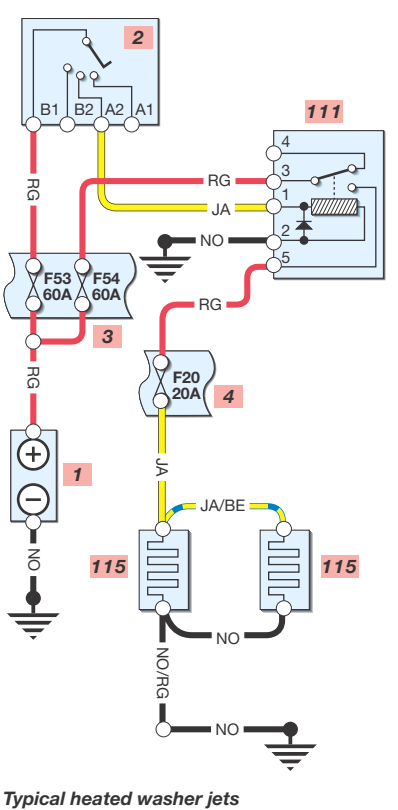
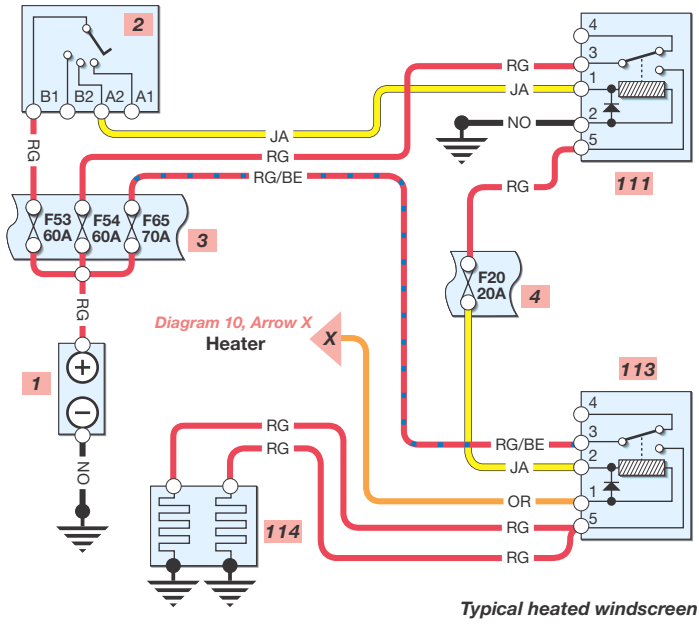
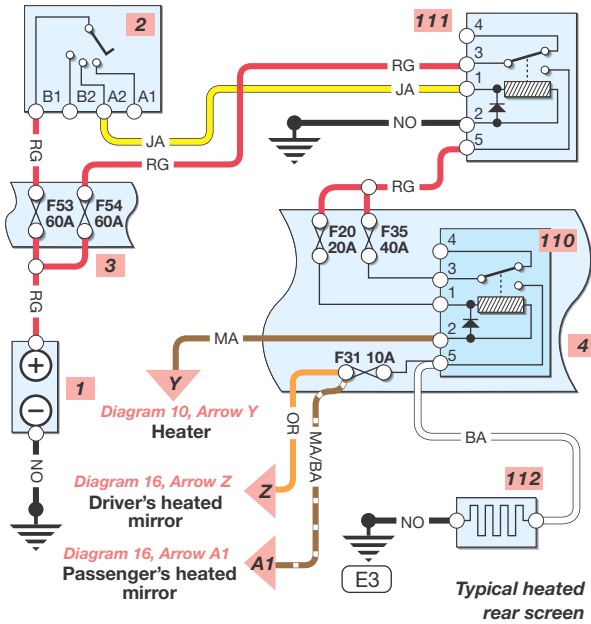
BA White	JA Yellow
BE Blue	MA Brown
BJ Beige	NO Black
CY Clear	OR Orange
GR Grey	RG Red
SA Pink	VI Mauve
VE Green	

Key to items

1 Battery	113 Heated windscreen relay
2 Ignition switch	114 Heated windscreen
3 Engine compartment fuse box	115 Heated washer jet
4 Passenger compartment fuse box	116 Windscreen wiper timer
110 Heated rear window relay	117 Wash/wipe combination switch
111 Ignition relay 1	118 Front wiper motor
112 Heated rear window	119 Front/rear washer pump

Diagram 11

H31774



Wire colours

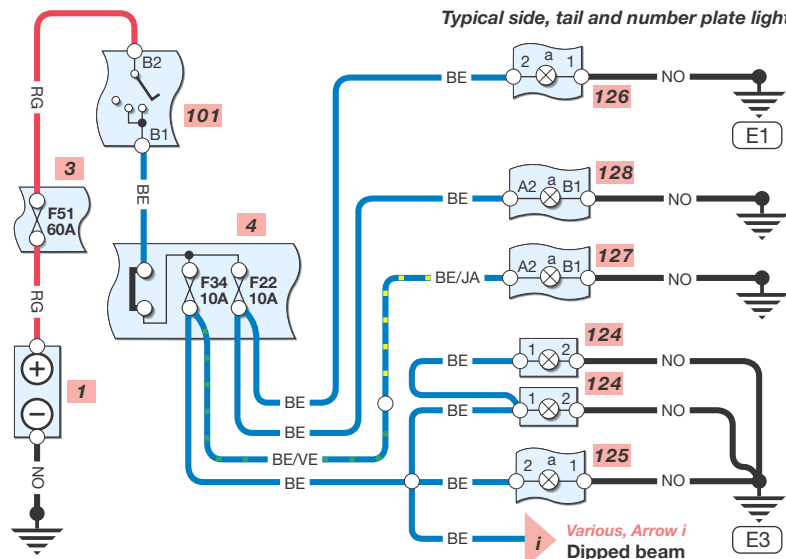
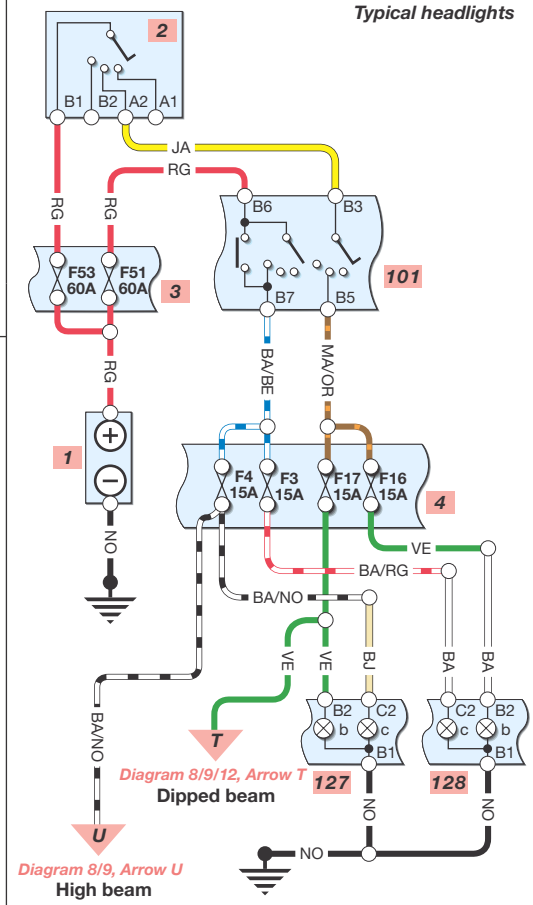
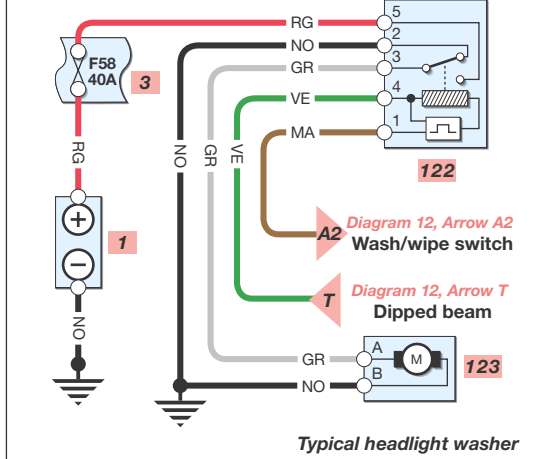
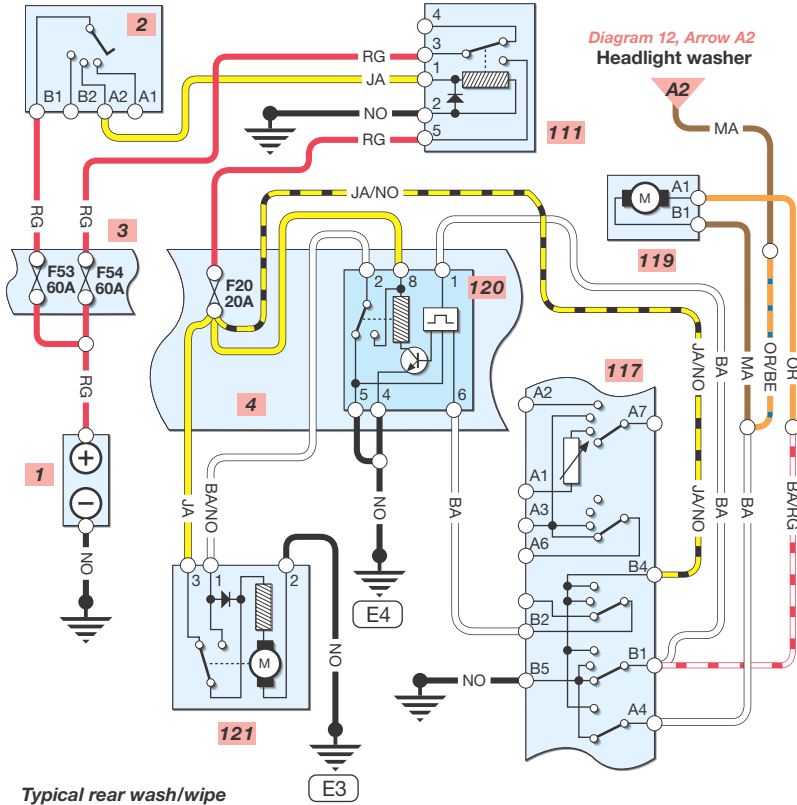
BA White	JA Yellow
BE Blue	MA Brown
BJ Beige	NO Black
CY Clear	OR Orange
GR Grey	RG Red
SA Pink	VI Mauve
VE Green	

Key to items

1 Battery	122 Headlight washer timer relay	128 RH headlight unit
2 Ignition switch	123 Headlight washer pump	a = sidelight
3 Engine compartment fuse box	124 Number plate light	b = dip beam
4 Passenger compartment fuse box	125 LH rear light cluster	c = main beam
101 Combined lighting/horn switch	a = tail light	
110 Heated rear window relay	126 RH rear light cluster	
111 Ignition relay 1	a = tail light	
117 Wash/wipe combination switch	127 LH headlight unit	
119 Front/rear washer pump	a = sidelight	
120 Rear wiper timer relay	b = dip beam	
121 Rear wiper motor	c = main beam	

Diagram 12

T/M
H31775



Wire colours

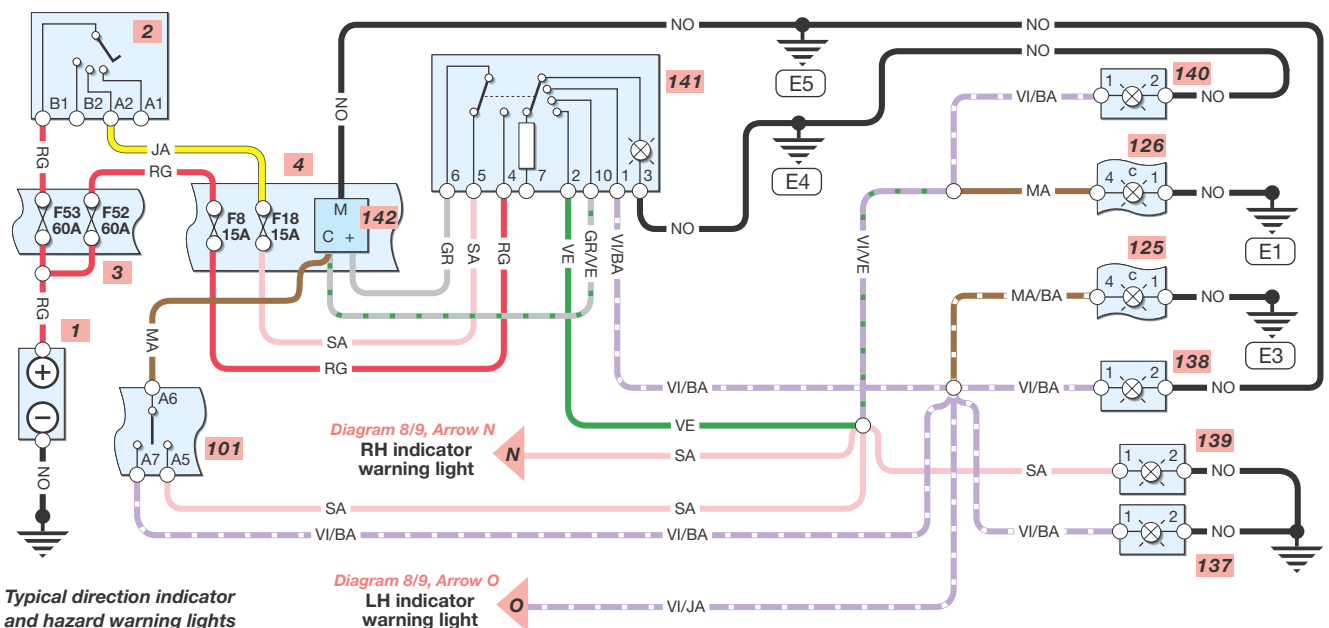
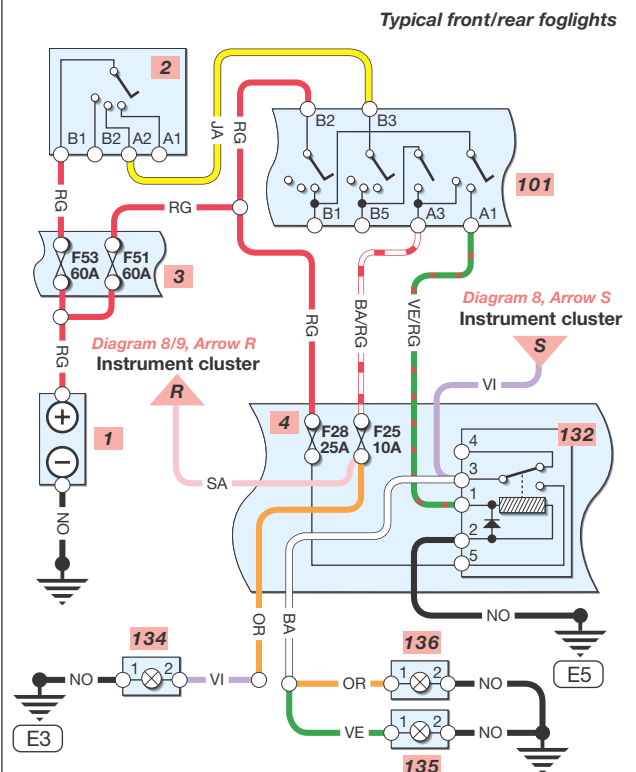
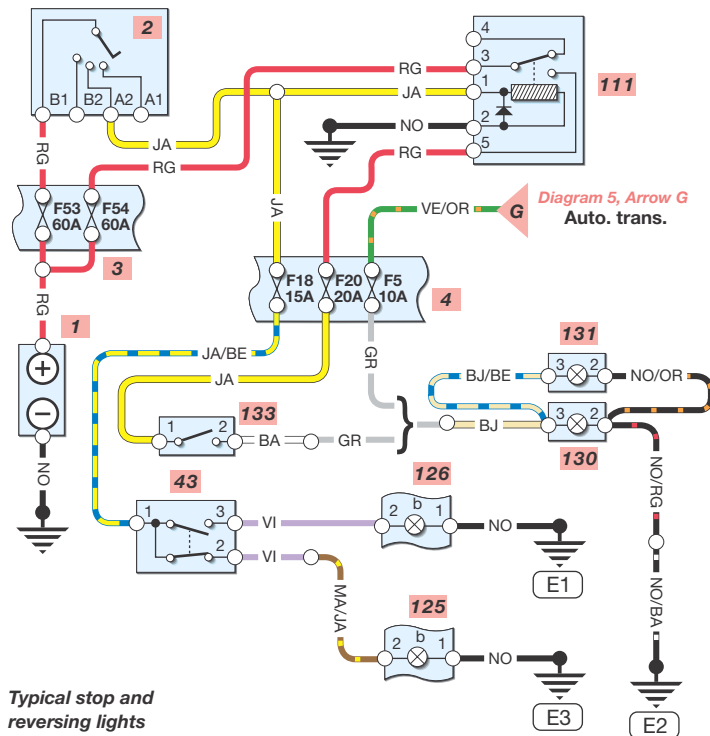
BA White	JA Yellow
BE Blue	MA Brown
BJ Beige	NO Black
CY Clear	OR Orange
GR Grey	RG Red
SA Pink	VI Mauve
VE Green	

Key to items

1 Battery	126 RH rear light cluster	136 RH front foglight
2 Ignition switch	b = stop light	137 LH front direction indicator
3 Engine compartment fuse box	c = direction indicator	138 LH direction indicator side repeater
4 Passenger compartment fuse box	130 LH reversing light	139 RH front direction indicator
43 Stop light switch	131 RH reversing light	140 RH direction indicator side repeater
101 Combined lighting/horn switch	132 Front foglight relay	141 Hazard warning light
111 Ignition relay 1	133 Reversing light switch	142 Direction indicator flasher unit
125 LH rear light cluster	134 Rear foglight	
b = stop light	135 LH front foglight	
c = direction indicator		

Diagram 13

T.M.
H31776



Wire colours

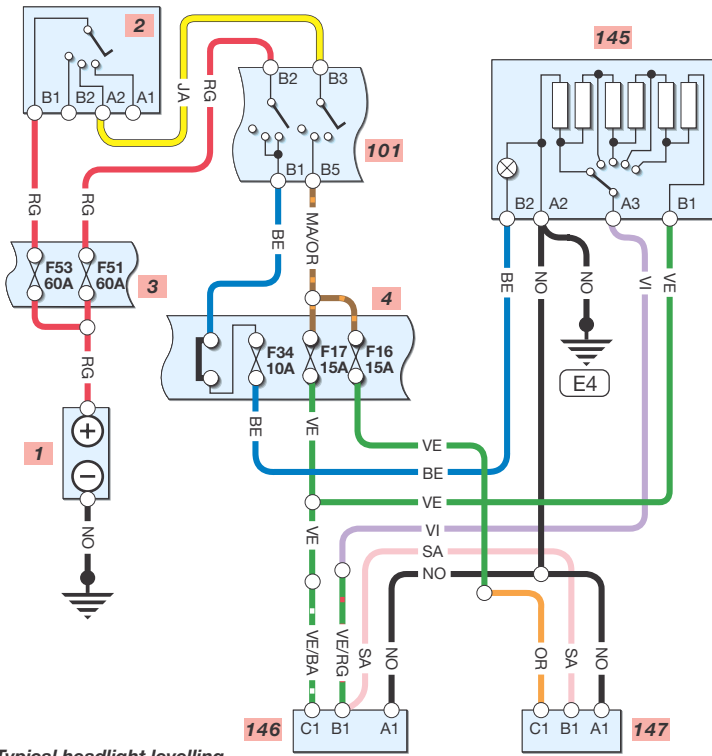
BA White	JA Yellow
BE Blue	MA Brown
BJ Beige	NO Black
CY Clear	OR Orange
GR Grey	RG Red
SA Pink	VI Mauve
VE Green	

Key to items

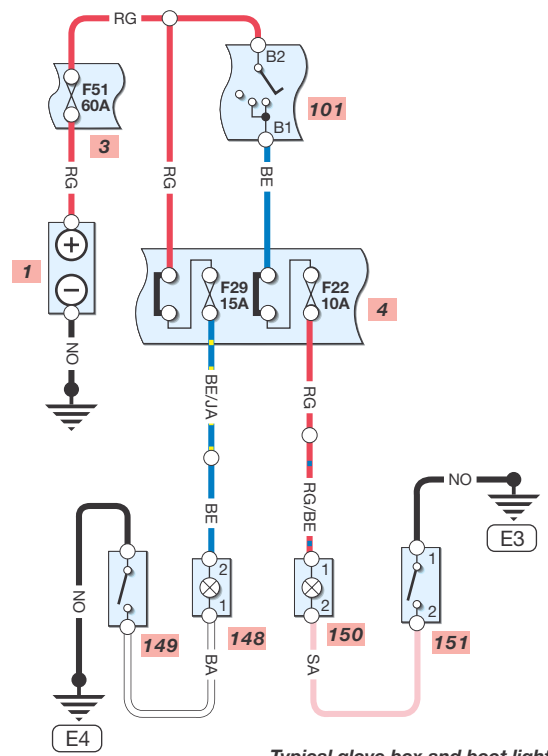
1 Battery	149 Glove box light switch	158 Front interior light
2 Ignition switch	150 Luggage compartment light	159 LH rear interior light
3 Engine compartment fuse box	151 Luggage compartment light switch	160 RH rear interior light
4 Passenger compartment fuse box	152 Interior lighting/central locking control unit	161 Infrared sensor
101 Combined lighting/horn switch	153 Driver's door switch	
145 Headlight levelling switch	154 Passenger's door switch	
146 LH headlight adjustment motor	155 LH rear door switch	
147 RH headlight adjustment motor	156 RH rear door switch	
148 Glove box light	157 Map reading light	

Diagram 14

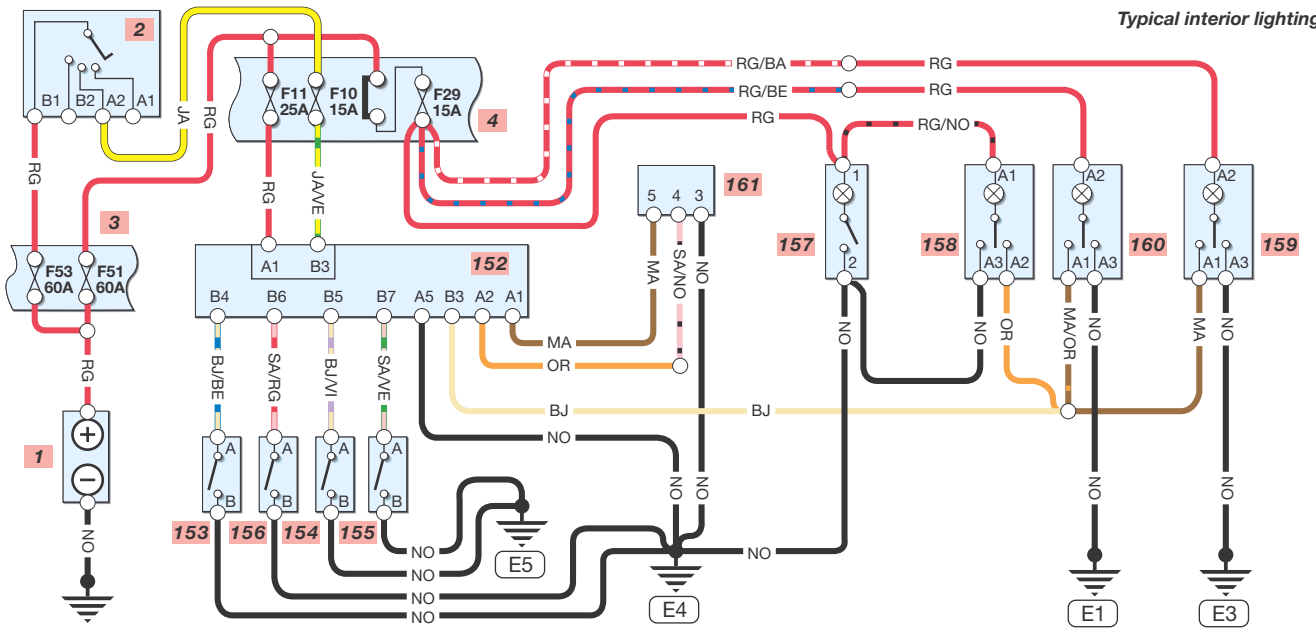
H31777



Typical headlight levelling



Typical glove box and boot light



Typical interior lighting

Wire colours

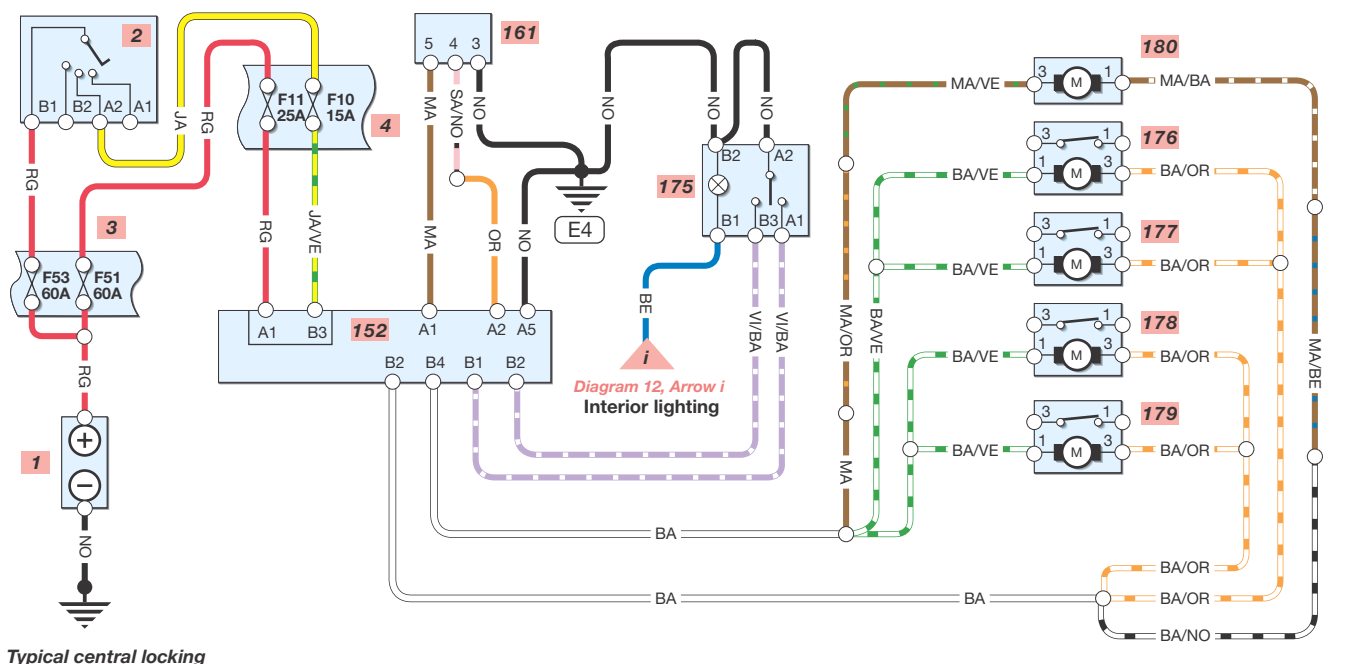
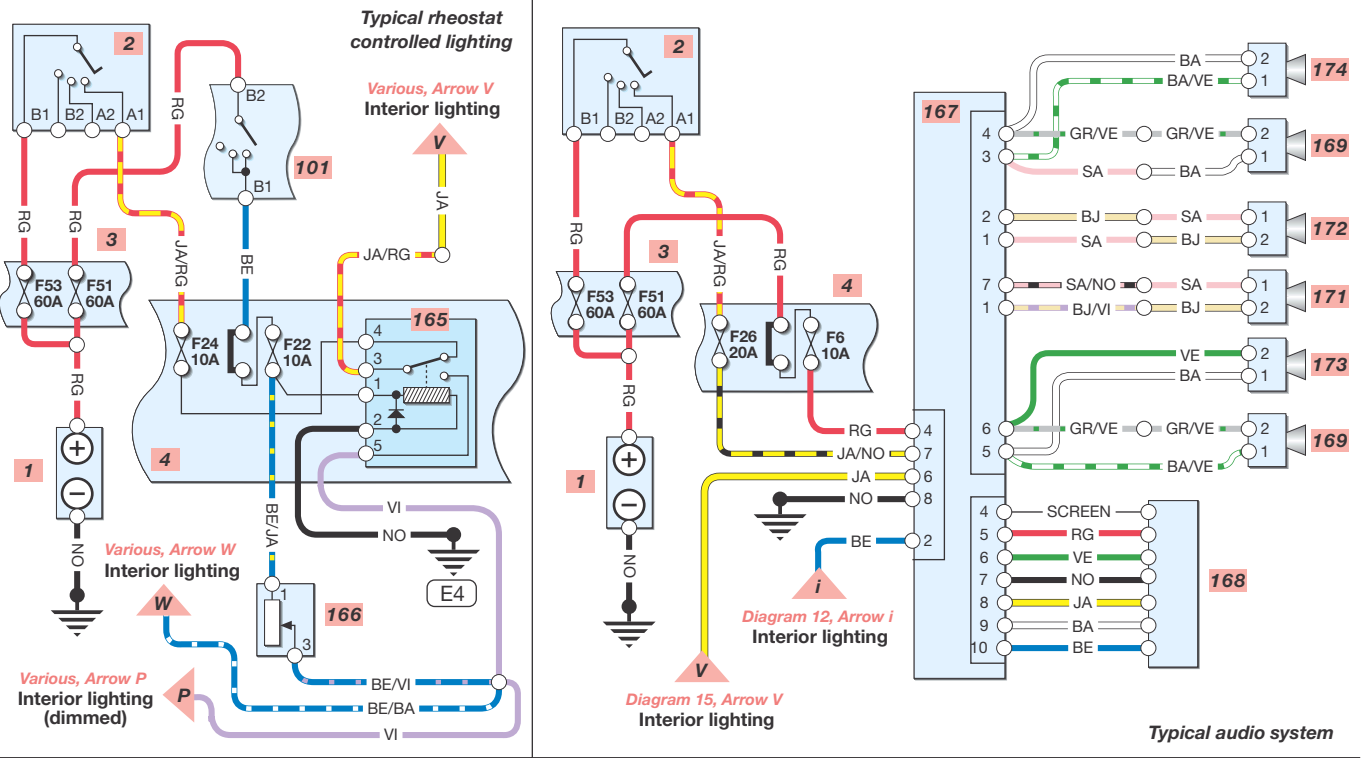
BA White	JA Yellow
BE Blue	MA Brown
BJ Beige	NO Black
CY Clear	OR Orange
GR Grey	RG Red
SA Pink	VI Mauve
VE Green	

Key to items

1 Battery	167 Audio unit
2 Ignition switch	168 Satellite control unit
3 Engine compartment fuse box	169 LH front speaker
4 Passenger compartment fuse box	170 RH front speaker
101 Combined lighting/horn switch	171 LH rear speaker
152 Interior lighting/central locking control unit	172 RH rear speaker
161 Infrared sensor	173 LH tweeter
165 Lighting rheostat relay	174 RH tweeter
166 Interior lighting rheostat	175 Central locking control switch
	176 Driver's central locking motor
	177 Passenger's central locking motor
	178 LH rear central locking motor
	179 RH rear central locking motor
	180 Tailgate lock motor

Diagram 15

H31778



Typical central locking

Wire colours

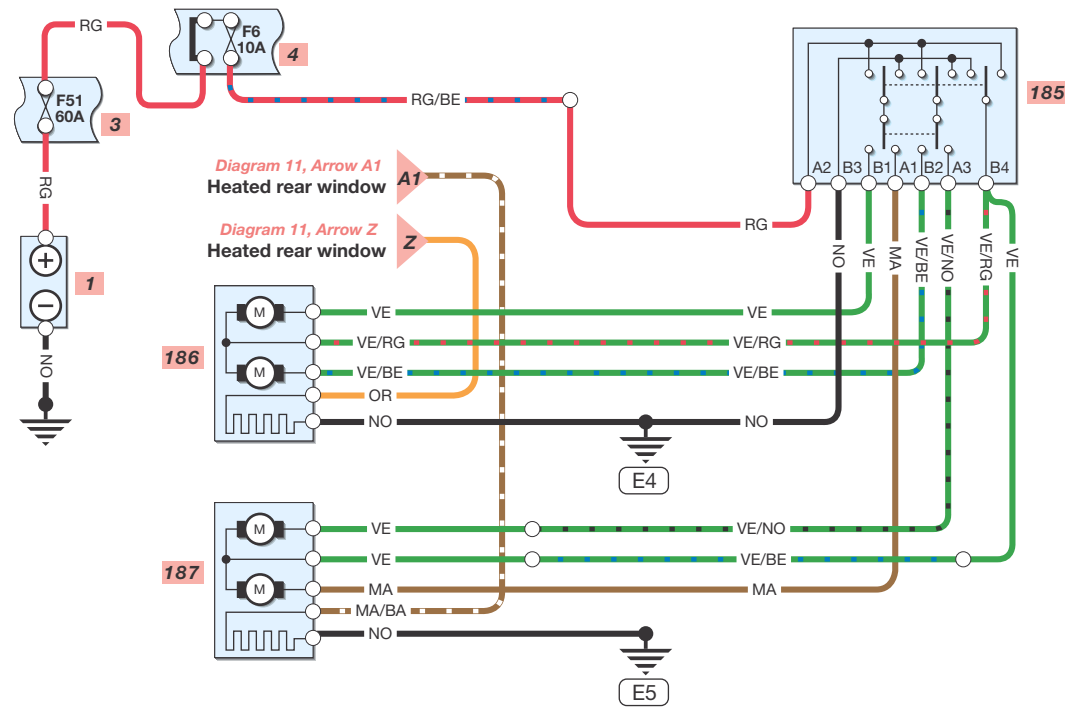
BA White	JA Yellow
BE Blue	MA Brown
BJ Beige	NO Black
CY Clear	OR Orange
GR Grey	RG Red
SA Pink	VI Mauve
VE Green	

Key to items

1	Battery	188	Driver's electric window switch
3	Engine compartment fuse box	189	Driver's switch for passenger window
4	Passenger compartment fuse box	190	Passenger's electric window switch
185	Electric mirror switch	191	'One touch' control unit
186	Driver's electric mirror	192	Driver's window motor
187	Passenger's electric mirror	193	Passenger's window motor

Diagram 16

T. H. H.
H31779



Typical electric mirrors

Typical electric windows

